

VHF COMMUNICATIONS SERVER SOFTWARE (SW-VHF-S)

The VHF Communications System is basically formed by a Server where a software application is executed. This application manages and controls the different independent units; TR-450-A VHF Duplex Transceivers, TR-350-A VHF Simplex Transceivers, MT-200-B Audio Switch Matrices, IT-200-A Telephone Integrated units, etc. It is also formed by one or several Clients Operation Positions where the radiocommunication operations take place. This operations take place through a software application.

The Server handles each of the System units by means of an RX-232C Serial Port connection. When you want to establish a communication with the units located in remote positions, it will be necessary to use Modems or Radiolinks that allow the exchange of RS-323C between the Server and the corresponding units. On the other hand, the Operation Positions, communicate with the Server through a Local Ethernet Network.

An example with different possibilities of units interconnection is shown in the diagram of figure 1.

The Server provides the Operation Positions the possibility of assigning VHF Transceiver units (Simplex and Duplex) to make different radiocommunication operations with such units.

Furthermore, the Server can keep VHF units to be used in other services or systems others than the VHF Communication System itself (for example, G.M.D.S.S.).

VHF COMMUNICATIONS SERVER PROGRAM

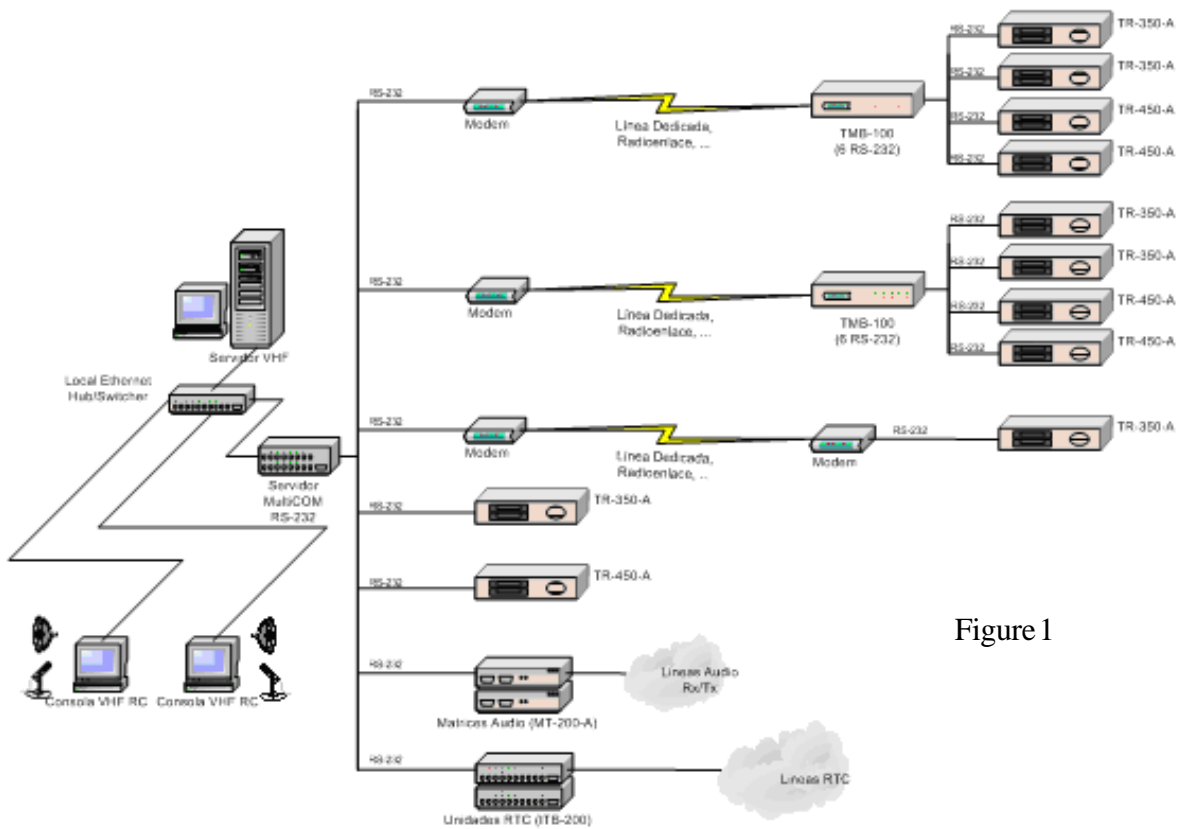


Figure 1

Servidor VHF Radio Comunicaciones

Selección Unidades

- SOFTWARE1
 - Consoles Operación
 - Servicios Dedicados
 - Unidades Comunicación
 - CarbSx16
 - Carboneras CH16
 - Carboneras CH70
 - CarbSxLSD
 - Carboneras Dx
 - Carboneras Tx
 - Transceptores Sx VHF
 - Transceptores Dx VHF
 - Unidades RTB
 - Matrices Audio

Nombre	ID	Modelo	Puerto Serie	Indicadores
CarbSx16	CS1	RS-232	COM37	OFF
CarbSxLSD	CSD	RS-232	COM36	OFF
CarbDxRx	CDR	RS-232	COM39	OFF
CarbDxTx	CDT	RS-232	COM38	OFF

Eventos del Sistema

Fecha	Hora	Nombre Unidad	Descripción
10/10/2005	12:18:47	Integrador0	Serial Link ON
10/10/2005	12:18:49	CarbSx16	Serial Link ON
10/10/2005	12:18:50	CarbSxLSD	Serial Link ON
10/10/2005	12:18:52	CarbDxRx	Serial Link ON
10/10/2005	12:18:53	CarbDxTx	Serial Link ON

5x VHF 1 (SV1)

Enlace: TimeOut: Estado: Rx Rom: 30091000 Tx Rom: 30091000

Display: CAN 016

Squelch: Nivel Squelch: Low

Canales: 16

CardxVhf (DVI)

Enlace: TimeOut Rx: Estado: TimeOut Tx: Rx Rom: 30091000 Tx Rom: 30091000

Display Rx: CAN 027

Display Tx: CAN 027

Squelch: Nivel Squelch: Low

Canales: 27

Matriz Rx

Puerto Serie: COM37 Puerto Abierto: Estado:

Integrador0

Linea RTC: L1 [91904992] L2 [OFF] L3 [OFF] L4 [910032444]