



1.6MHz - 30MHz ANTENNA (74') MOD: AT-111-A

**Self-supporting vertical antenna of 74 pies
(22.7 metros).**

Typical applications:

- Maritime coast stations.
- Air traffic.
- H.F. communications in general of 1.6 to 30 MHz.

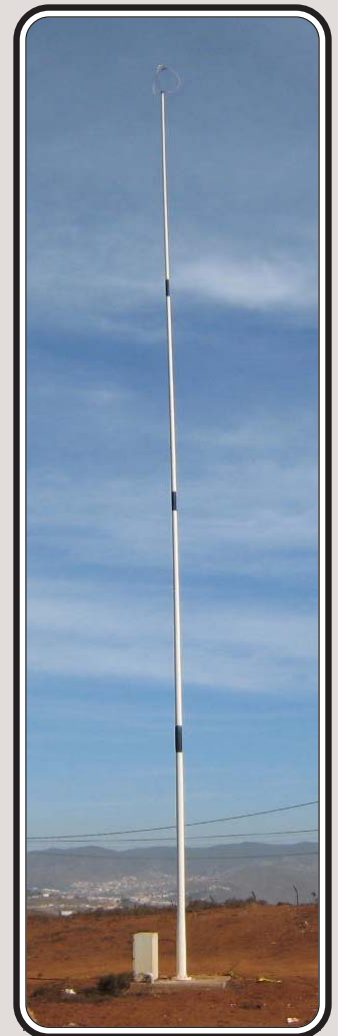
The antenna model AT-111-A is made of fiberglass and installed self-supported with no struts, obtaining high performances in wind resistance and adverse climatological conditions.

This antenna is designed for communication applications in the range from 1.6 to 30 MHz, for its use in maritime coast stations, aviation communications aswell as all type of communications in telegraphy, telephone, etc. in the range of the H.F.

A complete radiant system of great efficiency can be formed when combined with the AC-160-A/F antenna coupler.

The antenna must be executed in its installation with a good ground to obtain better efficiency.

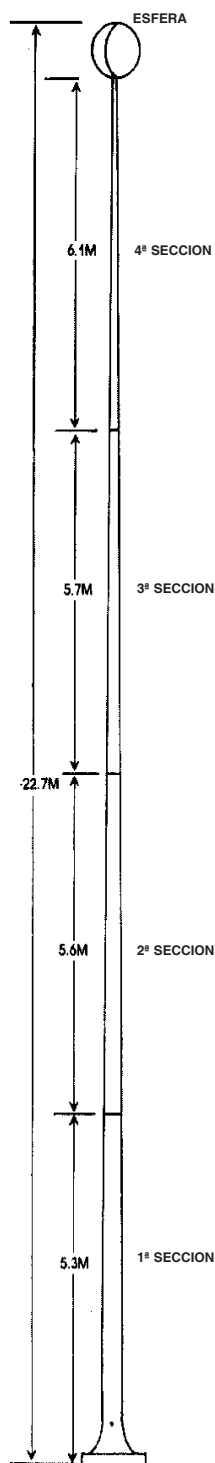
The antenna supports itself by twelve stainless steel studs fitted in a concrete base or other anchorage capable of supporting the weight of the antenna (135 Kg.) and the weight originated by the wind on the antenna.



TECHNICAL SPECIFICATIONS

CHARACTERISTICS :

- High efficiency.
- Internal reinforced radiant system.
- Made of fiberglass.
- Very low cost of installation.
- Very low cost of maintenance.



ELECTRIC CHARACTERISTICS

Frequency range
1,6 MHz to 30 MHz

Power
1.5 KW from 1.6 to 5 MHz

5KW from 5 to 30 MHz

Insulation voltage
25 KV

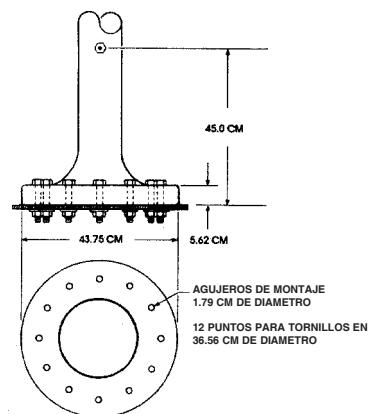
MECHANICAL CHARACTERISTICS

Length
74' (22.7metres)

Material
Fiberglass

Completion
In sphere

Internal Material
Treated bronze



Wind resistance
At 240 Km/Hour

Ice test
1,87 cm. Ice at

160 Km/Hour

Erosion resistance
Good

Centre of gravity
At 7,6 Metres

Operating temperature
-50°C to +65°C

Finish
Epoxy paint

Weight
135 Kg